



# RDAB40...

Damper actuator, 40 Nm

Damper actuator for control of dampers in ventilation systems.

- Torque 40 Nm
- For dampers up to approximately 8 m<sup>2</sup>
- Power supply 24 V or 230 V

RDAB40-24, RDAB40-230 and RDAB40-24A are damper actuators for control of dampers in ventilation systems.

### Simple direct mounting

The damper actuator is easily mounted on the damper spindle with the universal spindle clamp. The actuator is supplied with an anti-rotation strap that prevents it from rotating.

- On/off or (0)2...10 V control signal
- 2...10 V DC working range (RDAB40-24A)

### Function

Manual operation is possible with the self-resetting pushbutton (the gearing latch remains disengaged as long as the pushbutton is pressed).

The angle of rotation is adjustable with mechanical end stops.

### RDAB40-24A

RDAB40-24A is controlled by means of a standard control signal (0)2...10 V DC. It opens to the position dictated by this signal. The measuring voltage U allows the damper position (0...100%) to be electrically indicated and serves as a follow-up control signal for other actuators.

### High functional reliability

The actuator is overload-proof, requires no limit switches and stops automatically when the end stop is reached.

## Models

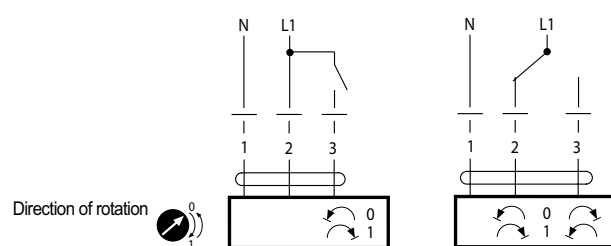
RDAB40-24	On/off control signal, 24 V supply voltage
RDAB40-230	On/off control signal, 230 V supply voltage
RDAB40-24A	(0)2...10 V control signal, 24 V supply voltage

## Technical data

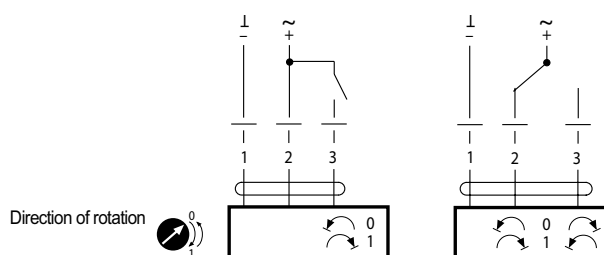
Supply voltage	RDAB40-24 and RDAB40-24A	24 V AC 50/60 Hz, 24 V DC
	RDAB40-230	230 V AC 50/60 Hz
Power consumption		
	In operation (at nominal torque)	4.5 W
	At rest	2 W
	For wire sizing	7 VA
Control signal		
	RDAB40-24 and RDAB40-230	On/off
	RDAB40-24A	(0)2...10 V
Mounting		Directly on jack shaft
For jack shaft		12...20 mm Ø (round shaft), 9...16 mm (square shaft)
Max. damper size		6 m <sup>2</sup>
Direction of rotation		Selectable with switch
Torque		Min. 40 Nm at nominal voltage
Angle of rotation		Max. 95°, adjustable 0...100% with mechanical end stops
Running time actuator		150 s
Sound power level		Max. 45 dB (A)
Position indication		Mechanical
Protection class		IP54
Ambient temperature		-30...+50°C
Storage temperature		-40...+80°C
Cable		1 m, 3 x 0.75 mm <sup>2</sup>
Weight		Appr. 1700 g
<b>CE</b>	The product conforms with the requirements of European EMC standard 89/336/EEC and carries the CE-mark. RDAB40-230 also conforms with the requirements of European LVD standard 73/23/EEC.	

## Wiring and Dimensions

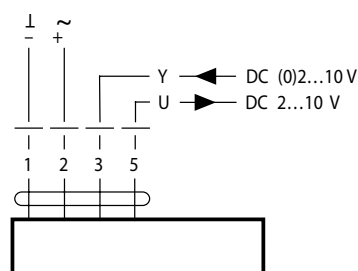
### RDAB40-24



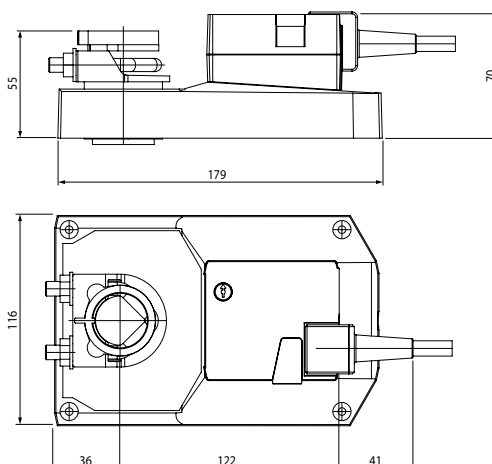
### RDAB40-230



### RDAB40-24A



Damper spindle	Length	Ø I ⌀
Clamp on top	min. 42	14 ... 26
Clamp on bottom	min. 20	14 ... 26



Measurements in mm

**REGIN**

THE CHALLENGER IN BUILDING AUTOMATION

### Head Office Sweden

Phone: +46 31 720 02 00

Web: [www.regin.se](http://www.regin.se)

Mail: [info@regin.se](mailto:info@regin.se)