



## ET

## electronic fan speed controller

These controllers provide hand control of the rotational speed of voltage controllable (230 VAC, 50 Hz) motors by varying the supplied voltage through phase angle control. Suitable for inset as well as for surface mounting, the splash-proofed housing allows use in demanding (moist) environments.

Several motors can be connected as long as the current limit is not exceeded. All models have an extra (not regulated) 230 V output/input.

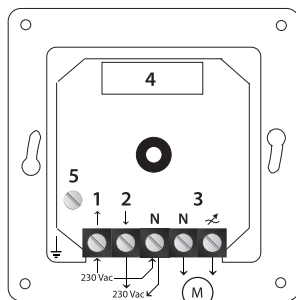
These speed controllers offer an excellent and accurate regulation.

### FEATURES

- Supply: 230 VAC - 50 Hz
- Infinitely variable control
- Fuse 5\*20 mm, spare fuse included
- Minimum speed adjustable by trimmer
- Inset mounting: IP44/surface mounting: IP54
- Plastic enclosure external: ASA, RAL 9010 white-ivory, internal: polyamide according to IEC 60335
- Max ambient temperature: 35 °C
- According to the low voltage directive: 2006/95/EC/the EMC directive: 2004/108/EC

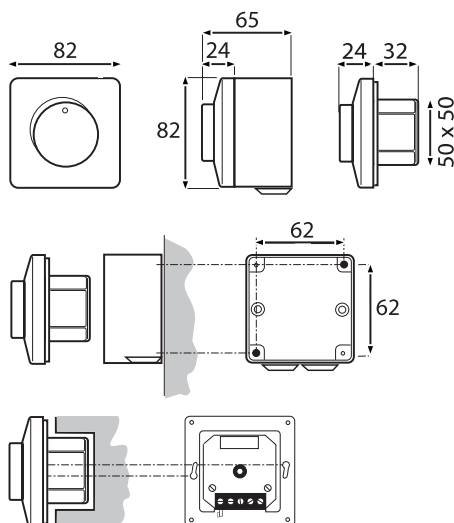
	ETX15-AT	ETX25-AT	ETY15-AT	ETY25-AT
<b>Current rating</b>	0.1 - 1.5 A	0.2 - 2.5 A	0.1 - 1.5 A	0.2 - 2.5 A
<b>Fuse</b>	F 2.0 A-H	F 3.15 A-H	F 2.0 A-H	F 3.15 A-H
<b>Control</b>	from max. to min. speed		from min. to max. speed	

### WIRING DIAGRAM



- |   |   |
|---|---|
| 1 | Power supply 230 VAC, 50 Hz   |
| 2 | 230 VAC not regulated output for connecting lamp, valve, dampers ... or three wire motor connection; branched off after switch (I <sub>max</sub> : 2A)<br>Input: to bypass switch |
| N | Neutral   |
| 3 | Regulated output to motor   |
| 4 | Fuse holder with spare  |
| 5 | Minimum speed adjustment trimmer  |

### DIMENSIONS & FIXING



order code	net weight	gross weight
ETX-0-15-AT	175 g	200 g
ETX-0-25-AT	210 g	235 g
ETY-0-15-AT	175 g	200 g
ETY-0-25-AT	210 g	235 g