



- Gas-filled copper sensor element with a 1.8 m, 3 m or 6 m long capillary tube
- Dust-tight micro switch with switching contacts (heating/cooling)

The FT electro-mechanical thermostats are constructed around a gas-filled capillary tube and sensor housing that transfers the changes in temperature to a change-over relay. The relay is capable of breaking up to 15 A at 230 V AC.

The FT series consists of frost protection thermostat for protecting air heaters in ventilation and climate control systems and heat exchangers in cooling systems. They can also be used to control electrical heating systems and for switching acoustic or optical alarm signals.

FT

Mechanical frost protection thermostat

FT is a series of high quality electro-mechanical frost protection thermostats for use in cooling, heating and ventilation systems.

- Easy installation and wiring
- Manual or automatic reset
- Protection class IP65

Manual or automatic reset

Manual reset: The switching contact is reset by pressing the reset button on the front of the unit.

Automatic reset: The switching contact will return to its normal position if the temperature returns to within its normal range.

Setpoint adjustment

Setpoint adjustment via a knob mounted under the unit cover.

Models

Type	Hysteresis	Reset	Capillary length
FT18	2 K	Automatic	1.8 m
FT18R	-	Manual	1.8 m
FT30	2 K	Automatic	3 m
FT30R	-	Manual	3 m
FT60	2 K	Automatic	6 m
FT60R	-	Manual	6 m

Accessories

Name	Description
DR-01	Brass immersion well 120 mm, 12 x 1
DR-02	Stainless steel immersion well 120 mm, 12 x 1
DR-05	Set of mounting brackets for capillary fixing

Technical data

Temperature range	-10...+10°C
Contacts	SPDT microswitch
Switch capacity	15 (8) A, 24...250 V AC
Accuracy	± 1°K
Protection	IP65, class I
Housing temperature	Max. 55°C
Ambient humidity	10...90 % RH (non-condensing)
Max. bulb temperature	150°C
Material Housing	Base in ABS, transparent PC
Weight	320 g

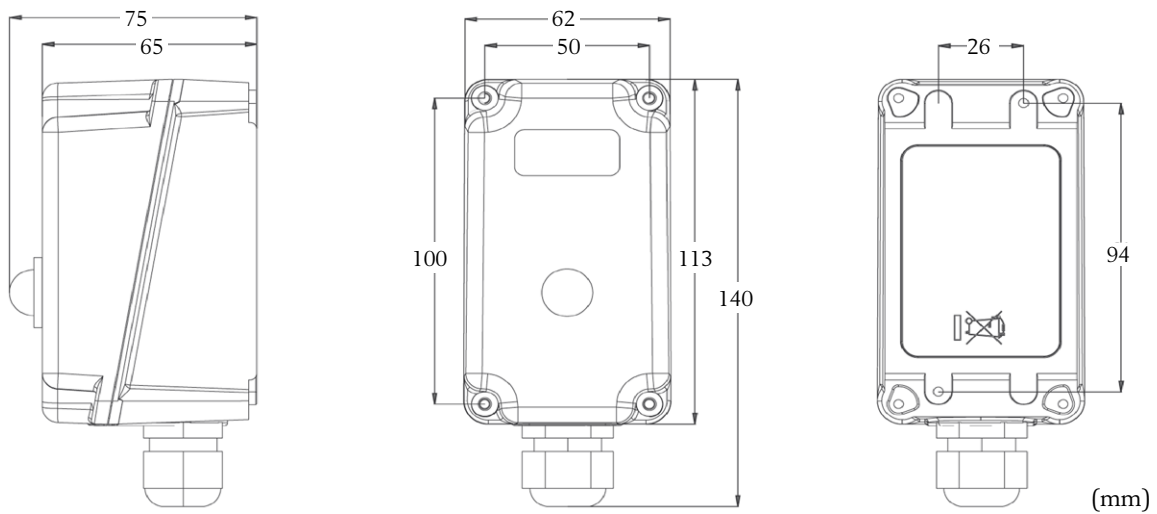


Low Voltage Directive (LVD) & EMC emissions & immunity standards:

This product conforms to the requirements of the European Low Voltage Directive (LVD) 2006/95/EC and to the requirements of the EMC Directive 2004/108/EC through product standard EN 60335-1.

RoHS: This product conforms to the Directive 2011/65/EU of the European Parliament and of the Council.

Dimensions



Wiring

Heating

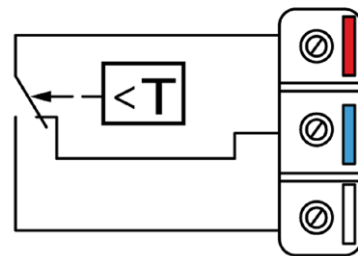
Connect to the red and blue terminal. The contact will open when the temperature rises.

Cooling

Connect to the red and white terminal. The contact will open when the temperature drops.

Signal function

For service functions, connect a signal lamp to the corresponding opposite contact. The free contact will then close simultaneously (thus acting as a signal contact).



Product documentation

Document	Type
FT_inst	Instruction for FT

The document can be downloaded from www.regincontrols.com.

Head Office Sweden

Phone: +46 31 720 02 00

Web: www.regincontrols.com

Mail: info@regin.se