

# TT-S1

## Ancillary board for TTC2000

Ancillary board intended to control an extra load when using the TTC2000 controller.

- Maximum 25 A load (appr. 17 kW)
- Easy installation and start-up

TT-S1 is an ancillary board intended to control an extra load connected to TTC2000. The board controls a contactor which activates or deactivates the heating load. For best function, the load connected to TT-S1 should be of equal size to the load connected to TTC2000 (triac).

### Function

On increasing heat demand, TTC2000 will primarily increase the triac-controlled output. When this reaches 100% the ancillary board will be activated and the triac output will be reduced to 0%. If there is a need for more heating, the triac-controlled output will be activated again.

- Potential free relay output
- For control of auxiliary contactor

### Easy to install and connect

TTC2000 is prepared to plug-in TT-S1. It detects if TT-S1 is installed and automatically adapts the control function accordingly. No adjustments are necessary. Carefully locate the board so that the connectors mate and the TT-S1 legs align with the mounting holes (see picture on the following page).

Connect the two terminals to the contactor that controls the basic heating load.

TTC2000 and TT-S1 must have separate, equal-sized loads.

N.B. The supply should be wired via the fan stat, the high temperature limit switch etc.

## Technical data

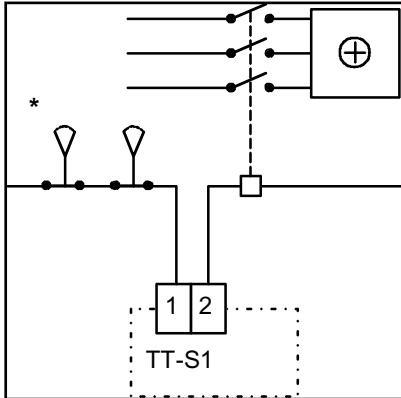
Supply voltage  
Control signal  
Output

Supplied by the connector (TTC2000)  
Supplied by the connector (TTC2000)  
Single pole closing relay, 5 A, 230 V AC (terminals 1 and 2)  
Controls load via contactor. Maximum load via contactor 25 A



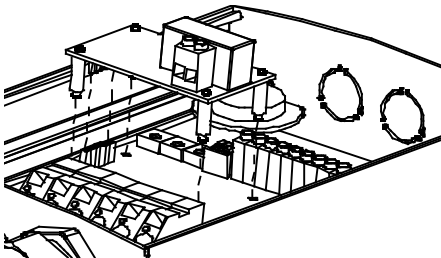
This product conforms with the requirements of European EMC standards CENELEC EN 61000-6-1 and EN 61000-6-3 and carries the CE mark.  
This product conforms with the requirements of European LVD standards IEC 669-1 and IEC 669-2-1.

## Wiring



\* = Use for example sensor DTV as fan stat, see data sheet 3-100 for more information.

## Installation



**Head Office Sweden**  
Phone: +46 31 720 02 00  
Web: [www.regin.se](http://www.regin.se)  
Mail: [info@regin.se](mailto:info@regin.se)

**Sales Offices**  
France: +33 14 171 46 46  
Hong Kong: +852 24 07 02 81  
Singapore: +65 67 47 82 33  
Germany: +49 30 77 99 40

**REGIN**

THE CHALLENGER IN BUILDING AUTOMATION