



RDAB20-...A

Damper actuator, 20 Nm

Damper actuator for control of dampers in ventilation systems.

- Torque 20 Nm
- For dampers up to approximately 4 m²
- Power supply 24 V AC/DC or 100...240 V AC

- (0)2...10 V DC modulating control
- 2...10 V DC working range

RDAB20-24A and RDAB20-230A are damper actuators for control of dampers in ventilation systems. The actuator is controlled by means of a standard control signal (0)2...10 V DC. It opens to the position dictated by this signal. The measuring voltage U allows the damper position (0...100%) to be electrically indicated and serves as a follow-up control signal for other actuators.

Simple direct mounting

The damper actuator is easily mounted on the damper spindle with the universal spindle clamp. The actuator is supplied with an anti-rotation strap that prevents it from rotating.

Function

Manual operation is possible with the self-resetting pushbutton (the gearing latch remains disengaged as long as the pushbutton is pressed).

The angle of rotation is adjustable with mechanical end stops.

High functional reliability

The actuator is overload-proof, requires no limit switches and stops automatically when the end stop is reached.

Models

- RDAB20-24A Model with 24 V supply voltage
RDAB20-230A Model with 230 V supply voltage

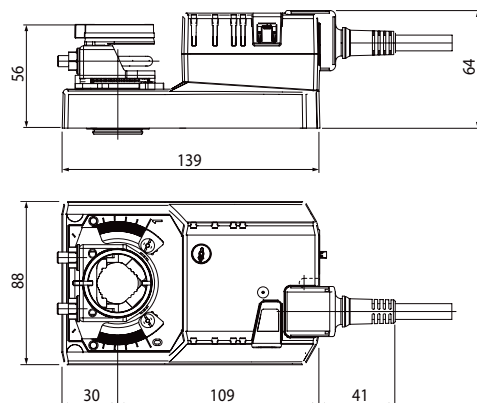
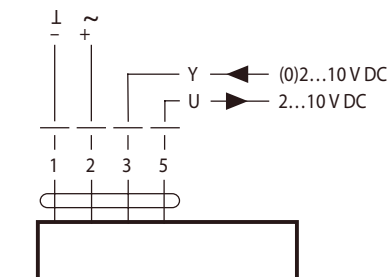
Technical data

	RDAB20-24A	RDAB20-230A
Supply voltage	24 V AC 50/60 Hz, 24 V DC	100...240 V AC 50/60 Hz
Power consumption		
In operation (at nominal torque)	2 W	3.5 W
At rest	0.4 W	1 W
For wire sizing	4 VA	6.5 VA
Sound power level	Max. 35 dB (A)	Max. 45 dB (A)
Weight	Appr. 1050 g	Appr. 1200 g
Common data		
Control signal input Y	(0)2...10 V DC, input impedance 100 kOhm	
Working range	2...10 V DC	
Measuring voltage	2...10 V DC, max. 1 mA	
Position accuracy	+/- 5%	
Direction of rotation	Selectable with switch	
Torque	Min. 20 Nm at nominal voltage	
Angle of rotation	Max. 95°, adjustable 0...100% with mechanical end stops	
Running time actuator	150 s	
Position indication	Mechanical	
Protection class	IP54	
Ambient temperature	-30...+50°C	
Storage temperature	-40...+80°C	
	The product conforms with the requirements of European EMC standard 89/336/EEC and carries the CE-mark. RDAB20-230A also conforms with the requirements of European LVD standard 73/23/EWG.	

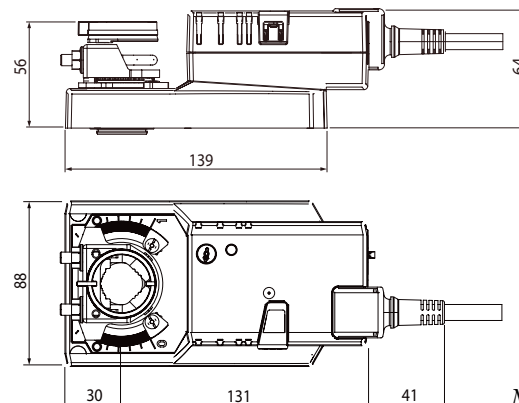
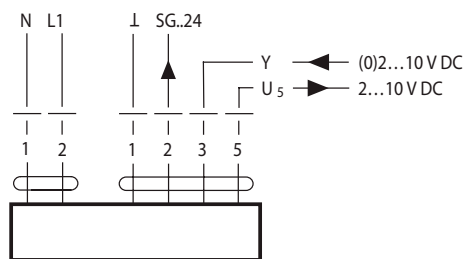


Wiring and Dimensions

RDAB20-24A



RDAB20-230A



Measurements in mm.

Damper spindle	Length	⊙I◇
Clamp on top	min. 42	10 ... 20 (26.7)
Clamp on bottom	min. 20	10 ... 20

Head Office Sweden

Phone: +46 31 720 02 00
Web: www.regin.se
Mail: info@regin.se

REGIN

THE CHALLENGER IN BUILDING AUTOMATION